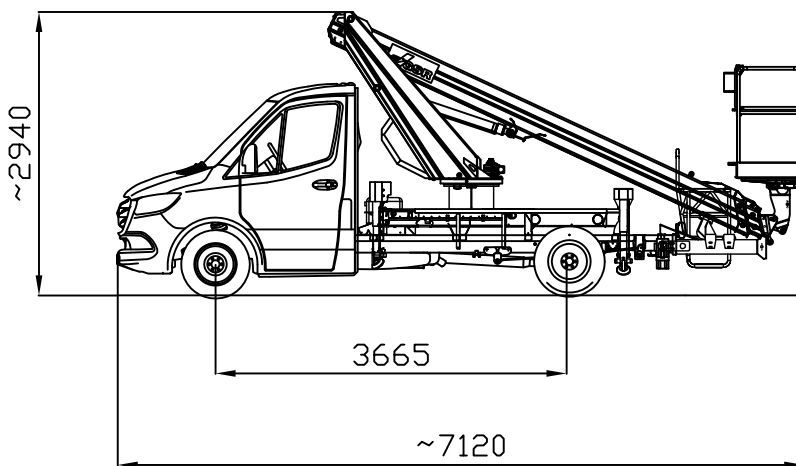
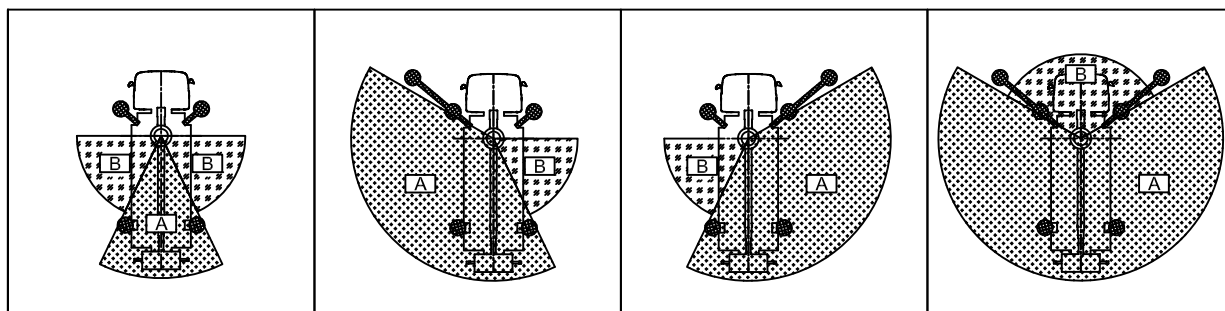
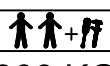


APPROXIMATE DATA - TECNICHE AENDERUNGEN VORBEHALTEN
 DONNES INDICATIVES - DATI INDICATIVI

TOLLERANZA
 TOLERANCE
 TOLERANCIA
 TOLERANZ
 + 0%
 - 5%



MAX SAFE WORKING LOAD	 300 KG
MAX NENNTRAGFAHIGKEIT IM KORB	
MAX CHARGE NOMINALE DANS LE PANIER	
MAX PORTATA NOMINALE IN NAVICELLA	
ALUMINIUM BASKET	

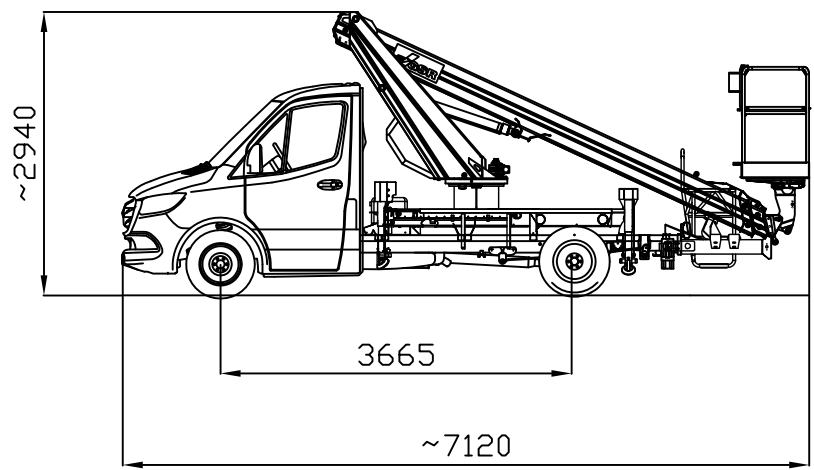
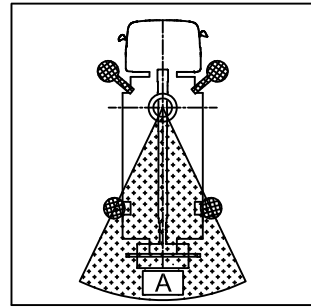
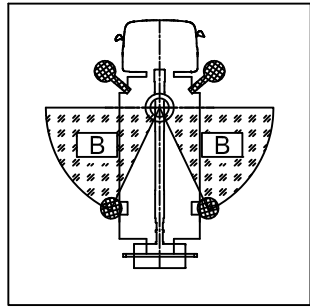
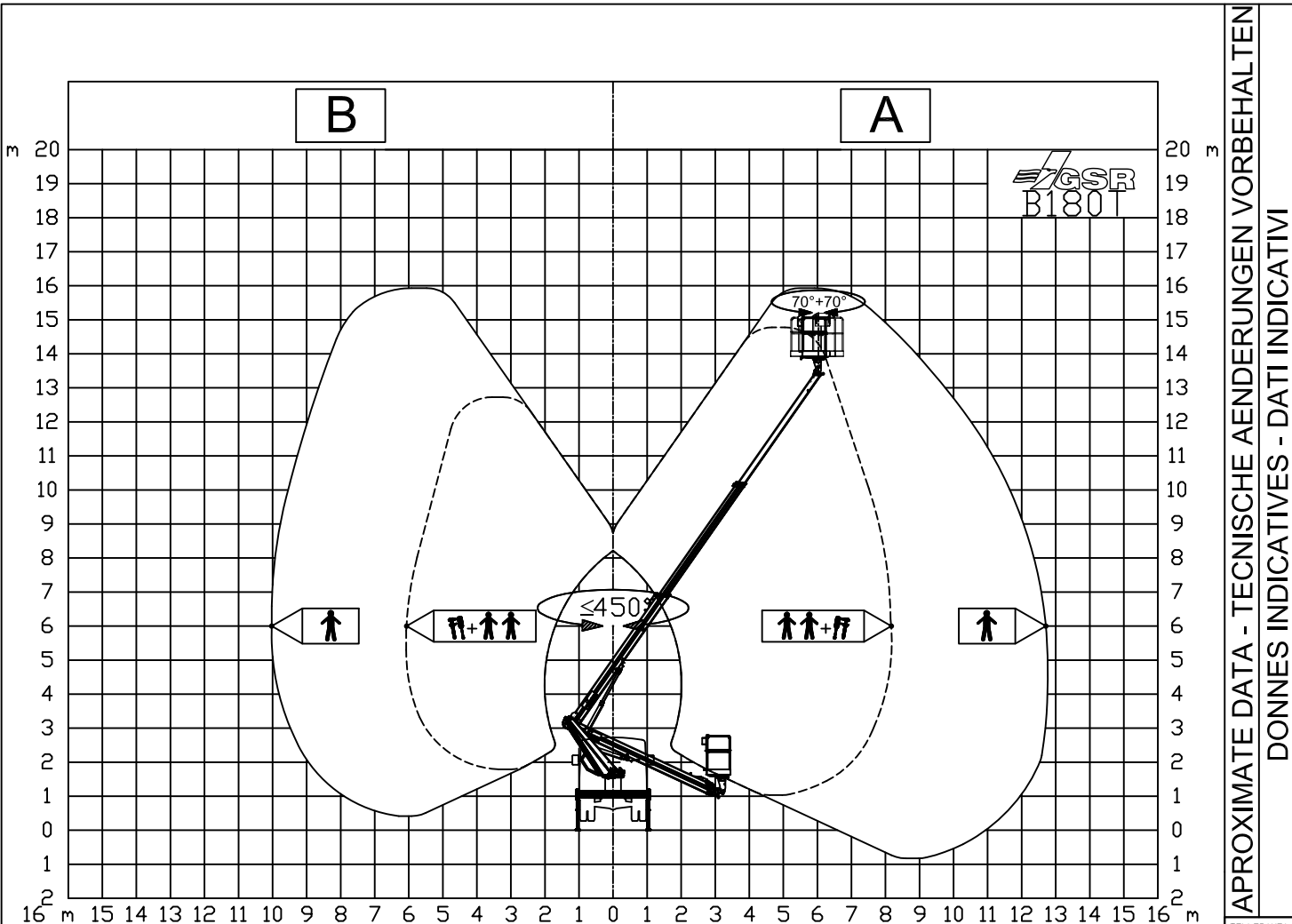


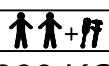
DENOMINAZIONE
B180T Comfort
 MERCEDES 311CDI - 3.5 t
 Sheet 1 of 2

DATE 09-06-2020
 CODE PRP1634

Aggiornamenti - Modifiche:

C	F
B	E
A	D



MAX SAFE WORKING LOAD	 300 KG
MAX NENNTRAGFAHIGKEIT IM KORB	
MAX CHARGE NOMINALE DANS LE PANIER	
MAX PORTATA NOMINALE IN NAVICELLA	
ALUMINIUM BASKET	



DENOMINAZIONE
B180T Comfort
 MERCEDES 311CDI - 3.5 t
 Sheet 2 of 2

DATE 09-06-2020
 CODE PRP1634

APPROXIMATE DATA - TECNICHE AENDERUNGEN VORBEHALTEN
 DONNES INDICATIVES - DATI INDICATIVI

TOLLERANZA
 TOLERANCE
 TOLERANZA
 TOLERANZ
 + 0%
 - 5%

Aggiornamenti - Modifiche:

C	F
B	E
A	D