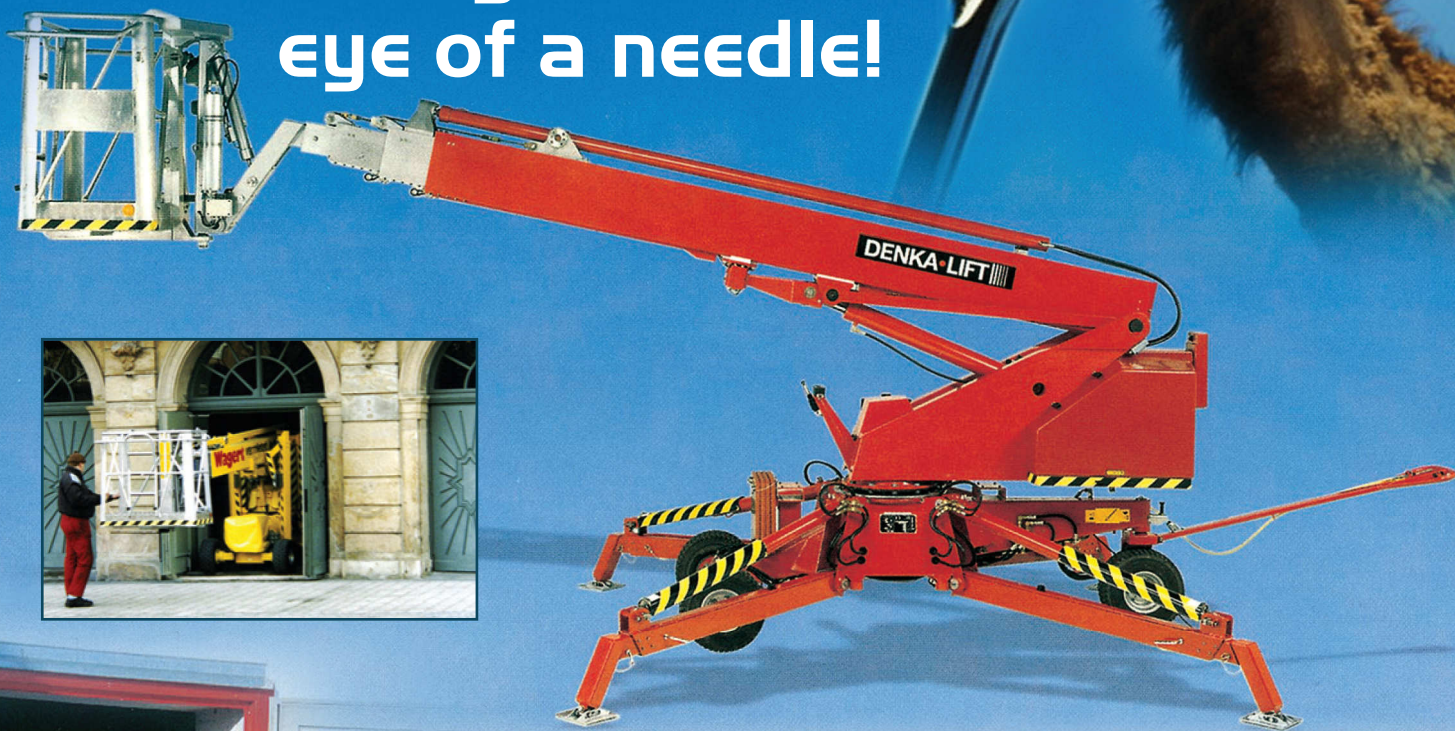


No problem anymore  
- even through the  
eye of a needle!



**DENKA•LIFT NARROWS**  
fit through every standard-sized door,  
and as a light-weight,  
is a machine for  
every situation.

When things are tight, then  
our DENKA•LIFT NARROW  
series comes into action!

With a machine width of less than 90 cm and a detachable basket, this series especially comes into operation where there are problems concerning narrow access routes, difficult space constraints or highly sensitive ground surfaces. Time and money is especially saved also in hotel and atrium areas, shopping centres, industrial plants, swimming pools and leisure facilities, airports or other tasks in the field of facility management.



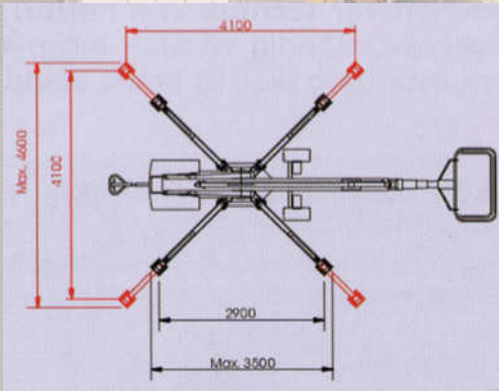
DENKA•LIFT  
|||||

Rothlehner Arbeitsbühnen GmbH, Mühlenweg 1,  
D-84323 Massing, Tel. +49 87 24 / 96 01-0, Fax 96 01-12,  
[info@rothlehner.com](mailto:info@rothlehner.com), [www.rothlehner.com](http://www.rothlehner.com)

... since 1976  
**Rothlehner**  
working platforms



# With ease - for indoors and outdoors



variable outriggers DLN Series



## DENKA•LIFT NARROW - The narrow specialists for confined access routes and space constraints

These special machines can be operated, deployed and transported on car trailers as easily as normal trailer platforms. A diverse range of special equipment makes the Narrows to highly flexible problem solvers.

DENKA•LIFT	type	working height	outreach	clearance width	clearance height	weight
	<b>Junior I2</b>	12,0 m	6,7 m	0,75 m	1,84 m	990 kg
	<b>DL19N</b>	19,0 m	11,3 m	0,89 m	1,99 m	2.075 kg
	<b>DL22N</b>	22,0 m	12,0 m	0,89 m	1,99 m	2.300 kg
	<b>DL25N</b>	25,0 m	11,4 m	0,87 m	1,97 m	2.560 kg
	<b>DL28N</b>	28,0 m	12,0 m	0,87 m	1,97 m	2.600 kg

- Compact dimensions (0.89 m clearance width and less than 2 m clearance height), variable outriggers, sensitive control, rotatable and detachable cage, environmentally friendly battery drive, variable transportation track gauge and a manoeuvring drive with two speeds is among the most significant key data of the DL19N and DL22N machines with 19 or 22 m working height.
- As a light-weight with less than 1000 kg, the little DENKA•LIFT Junior I2 solves similar problems up to 12 m working height with its even more compact dimensions (0.75 m clearance width and 1.84 m clearance height).



- Narrows for greater heights up to 28 m are available with the DENKA•LIFT DL25N and DL28N (0.87 m clearance width and less than 2 m clearance height).
- Even the DENKA•LIFT trailer DL30, with its clearance width of 1.72 m and (with lowerable axle) less than 2 m clearance height, is sometimes also labelled as a „Narrow“ by users. Where else can 30 m working height be achieved with a transportation width of merely 1.72 m?

**When things are tight - DENKA•LIFT NARROW!**

