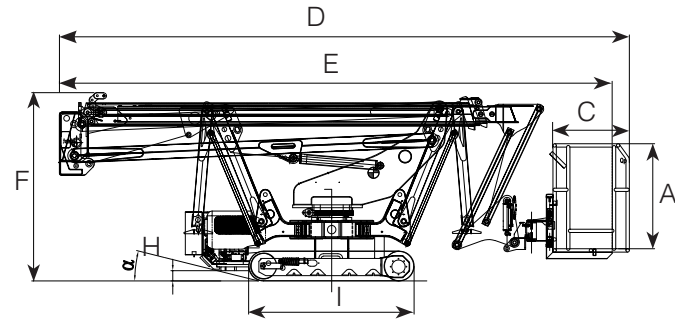
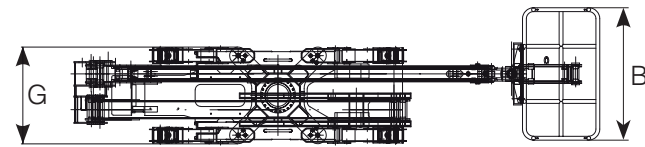




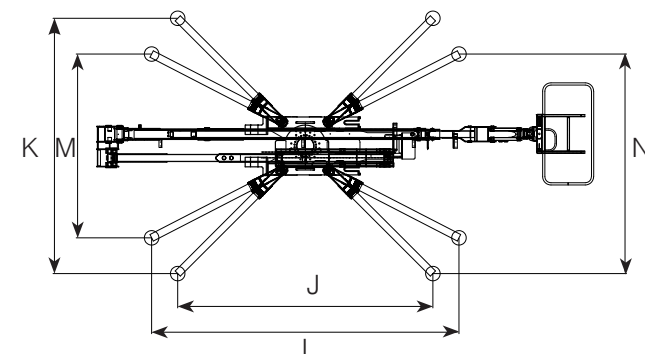
PERFORMANCE	
WORKING HEIGHT	21.20 m
HORIZONTAL OUTREACH (120 KG.)	11.00 m
UP AND OVER CLEARANCE	6.10 m
CAGE CAPACITY	200 Kg
MOVABLE JIB	-115° +10°
CAGE ROTATION	180°
TURRET ROTATION	360°
GRADEABILITY	30%
SLOPE ANGLE (α)	14° - 19°
TRAVEL SPEED	1.0 - 2.0 Km/h



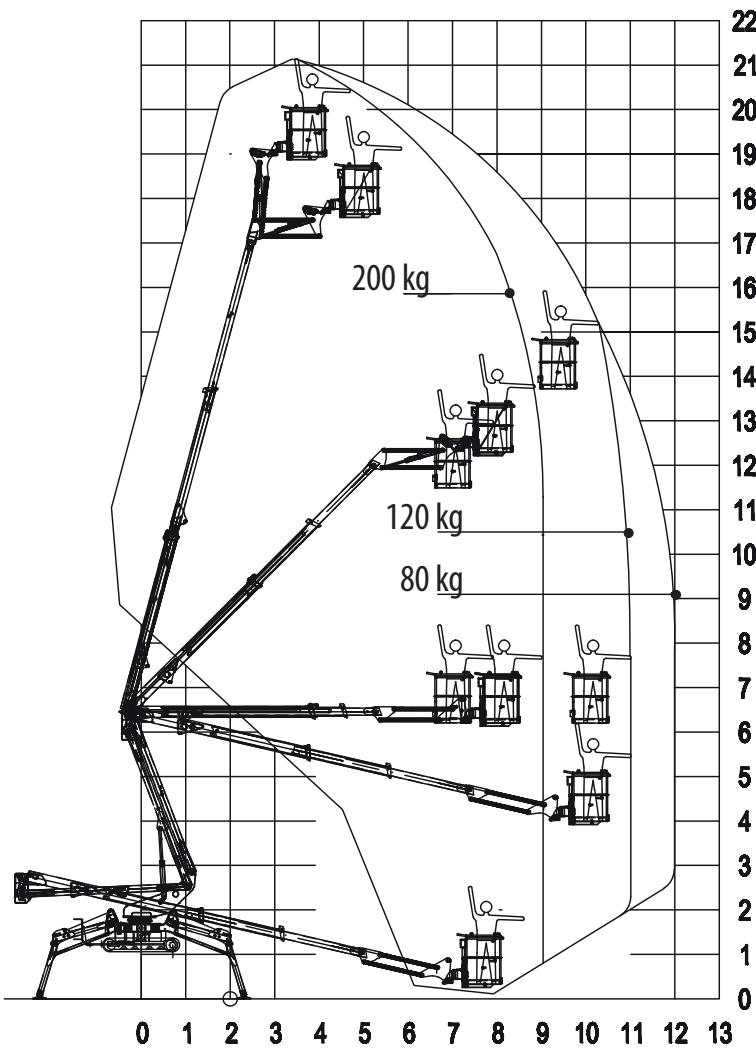
MEASURES	
CAGE HEIGHT (A)	1.10 m
CAGE LENGTH (B)	1.40 m
CAGE WIDTH (C)	0.70 m
LENGTH (D)	5.85 m
LENGTH WITHOUT CAGE (E)	5.65 m
HEIGHT (TRAVELLING POSITION) (F)	1.93 m
WIDTH, MIN (G)	0.89 m
WIDTH, MAX (G')	-
GROUND CLEARANCE, MIN (H)	0.15 m
GROUND CLEARANCE, MAX (H')	-
TRACK (L x W) (I)	1.70x 0.23 m
LENGTH OUTRIGGER STANDARD (J)	3.50 m
WIDTH OUTRIGGER STANDARD (K)	3.50 m
LENGTH OUTRIGGER NARROW (L)	4.20 m
WIDTH OUTRIGGER NARROW (M)	2.50 m
WIDTH OUTRIGGER MEDIUM (N)	3.00 m
OUTRIGGER PLATE (\emptyset)	0.20 m



WEIGHT	
TOTAL WEIGHT	3000 Kg
TRAVEL CONFIGURATION PRESSURE	2.80 kN/m ²
WORK CONFIGURATION PRESSURE	2.56 kN/m ²
MAX OUTRIGGER FORCE	19.12 kN



POWER SOURCES	
STANDARD Petrol Engine	9.6 kW
STANDARD Electric Motor	230V - 2.2 kW
OPTIONAL Diesel Engine	8.5 kW
OPTIONAL Lithium Battery R210BA	48V - 200 Ah
OPTIONAL Lithium Battery R210HY	48V - 100 Ah
FUEL TANK CAPACITY Diesel Engine	5 l
OIL TANK CAPACITY	36 l



CHASSIS

- Powerful track drive with hydraulic braking system
- Precise manoeuvring
- Rubber tracks with specially arranged profile providing optimum grip

STABILISATION

- Variable outrigger system with one side or both sides narrow or wide setup option

BOOM SYSTEM

- Single pantograph with telescopic boom
- Articulated jib 125°
- Turnable basket 180°
- Electro-hydraulic and cable controls
- Hydraulic cage self levelling system
- Turret rotation with slewing ring

POWER SOURCES

- 110V (US) / 230V (EU) electric motor
- 9.6 kW Honda petrol engine
- Start/ Stop device for the engine in the cage

PRODUCTIVITY, SAFETY & QUALITY

- 110V (US) / 230V (EU) power socket in the cage
- High quality paint in RAL 9003 & RAL 2001
- Hand pump for emergency lowering
- Lock valves on hydraulic cylinders
- Relief valves protecting the hydraulic system from too high pressures
- Protective covers for all components
- Hour meter

OPTIONS

- Battery drive (lithium) 48V 200 Ah (R210BA)
- Battery drive (lithium) 48V 100 Ah (R210HY)
- Outrigger self levelling system
- Outrigger pads
- Non marking rubber tracks
- Custom paintwork
- Radio control
- Electric pump for emergency lowering

Rothlehner

Arbeitsbühnen

D-84323 Massing • Mühlenweg 1 • info@rothlehner.de
 ☎ +49 (0) 87 24 / 96 01-0 ☎ -12 • www.rothlehner.com