

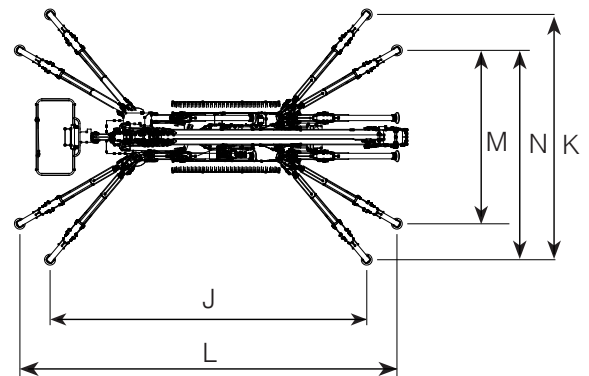
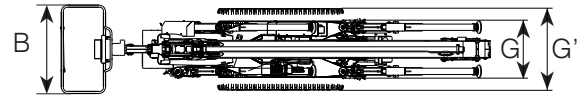
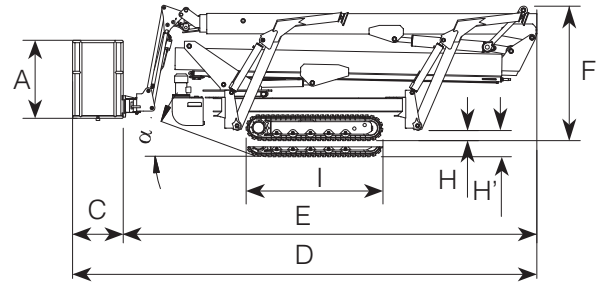


PERFORMANCE	
WORKING HEIGHT	26.00 m
HORIZONTAL OUTREACH (230 KG.)	12.00 m
HORIZONTAL OUTREACH (120 KG.)	14.50 m
UP AND OVER CLEARANCE	11.00 m
CAGE CAPACITY	230 Kg
MOVABLE JIB	-80° +60°
CAGE ROTATION	180°
TURRET ROTATION	440°
GRADEABILITY	30%
SLOPE ANGLE (α)	32° - 27.5°
TRAVEL SPEED	1.0 - 2.0 Km/h

MEASURES	
CAGE HEIGHT (A)	1.10 m
CAGE LENGTH (B)	1.40 m
CAGE WIDTH (C)	0.70 m
LENGTH (D)	6.70 m
LENGTH WITHOUT CAGE (E)	6.00 m
HEIGHT (TRAVELLING POSITION) (F)	1.99 m
WIDTH, MIN (G)	0.89 m
WIDTH, MAX (G')	1.29 m
GROUND CLEARANCE, MIN (H)	0.10 m
GROUND CLEARANCE, MAX (H')	0.20 m
TRACK (L x W) (I)	1.99 x 0.23 m
LENGTH OUTRIGGER STANDARD (J)	5.80 m
WIDTH OUTRIGGER STANDARD (K)	4.50 m
LENGTH OUTRIGGER NARROW (L)	6.90 m
WIDTH OUTRIGGER NARROW (M)	3.15 m
WIDTH OUTRIGGER MEDIUM (N)	3.80 m
OUTRIGGER PLATE (\varnothing)	0.20 m

WEIGHT	
TOTAL WEIGHT	3800 Kg
TRAVEL CONFIGURATION PRESSURE	3.76 kN/m ²
WORK CONFIGURATION PRESSURE	1.44 kN/m ²
MAX OUTRIGGER FORCE	22.96 kN

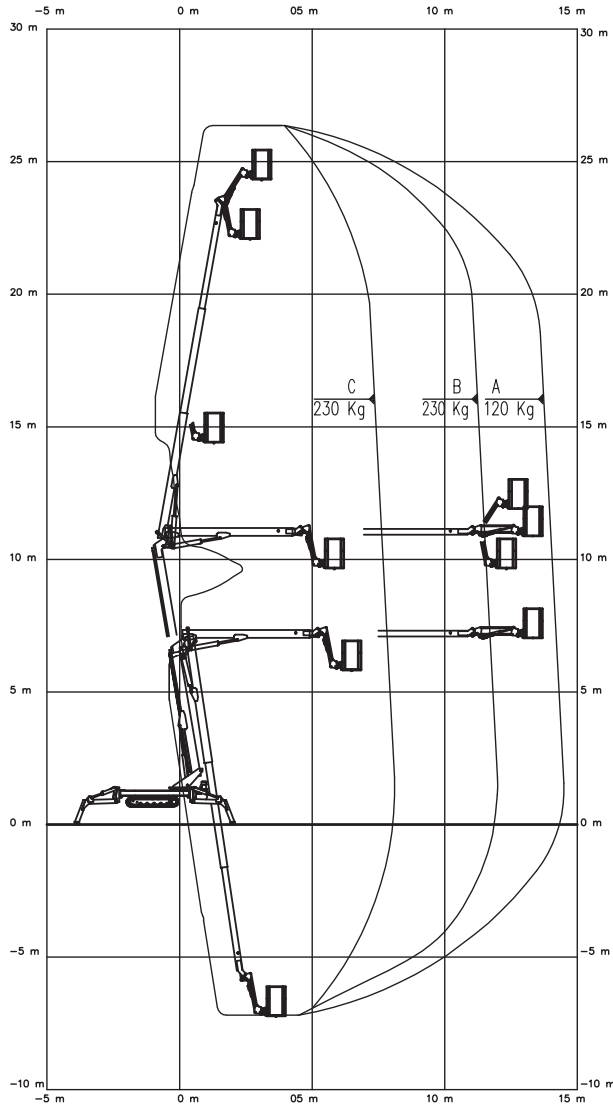
POWER SOURCES	
STANDARD Diesel Engine	18.5 kW
STANDARD Electric Motor	230V - 3.0 kW
OPTIONAL Lithium Battery	48V - 200 Ah
FUEL TANK CAPACITY Diesel Engine	15 l
OIL TANK CAPACITY	60 l



Rothlehner

Arbeitsbühnen

D-84323 Massing • Mühlenweg 1 • info@rothlehner.de
 ☎ +49 (0) 87 24 / 96 01-0 ☎ -12 • www.rothlehner.com



CHASSIS

- Powerful track drive with hydraulic braking system
- Precise manoeuvring over sensitive radio control
- Rubber tracks with specially arranged profile providing optimum grip

STABILISATION

- Variable outrigger system with one side or both sides narrow or wide setup option

BOOM SYSTEM

- Telescopic upper and lower booms
- Articulated Jib 140°
- Turnable basket 180°
- Electric proportional and radio controls
- Electronic cage self levelling system
- Turret rotation with slewing ring

POWER SOURCES

- 110V (US) / 230V (EU) electric motor
- 18.5 kW Kubota diesel engine with electronically regulated engine control
- Start/ Stop device for the engine in the cage

OPTIONS

- Battery drive (lithium) 48V 200 Ah (RA26HY)
- Outrigger self levelling system
- Outrigger pads
- Non marking rubber tracks
- Custom paintwork

PRODUCTIVITY, SAFETY & QUALITY

- 110V (US) / 230V (EU) power socket in the cage
- High quality paint in RAL 9003 & RAL 2001
- Electric pump for emergency lowering
- Cables and hoses safely routed through the boom structure
- Lock valves on hydraulic cylinders
- Relief valves protecting the hydraulic system from too high pressures
- Protective covers for all components
- Hour meter

Rothlehner

Arbeitsbühnen

D-84323 Massing • Mühlenweg 1 • info@rothlehner.de
 ☎ +49 (0) 87 24 / 96 01-0 ☎ -12 • www.rothlehner.com