

Range T

Cod. PRP1581

Description:

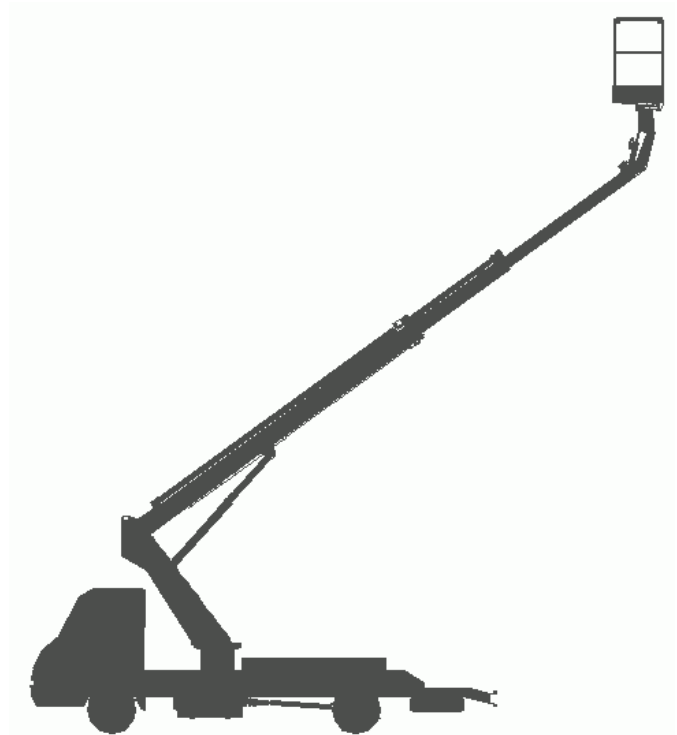
Telescopic platform, fully hydraulic with high specifications of strength, reliability and easy maintenance. Specifically designed to fulfill the high standard of quality requested by professional users, ensuring a long working life and a high residual value.

Performances

Working height mt.		13.70
Max load in the basket kg.	† † †	200
Max working outreach mt.	† † †	8.35
Turret rotation °		450
Hose track		Internal
Controls in the basket		Hydraulic multifunctions joystick

Platform specifications

Metal basket dimensions mt.	1.40x0.70
Fiberglass basket dimensions mt.	1.20x0.70
Basket rotation °	70 + 70
Front outriggers	Vertical
Back outriggers	Vertical
Foot plate gauge min. mt.	2.15



Assembling

This assembly represents the compact version where the outrigger width is retained within the dimension of the vehicle mirrors, maximizing the advantages of the narrow dimensions of the unit.

Deck Anti-slip aluminium deck

Body Purposely designed assembly to optimize functionality and utilization

Standards Declaration of Conformity

Accessories There are available a wide range of accessories, many of them are already included as standard machine. It is recommended to contact our sales network for more information.

Other types of assembling and different vehicles We are in position to propose the same machine with different type of assembly and / or on different types of vehicles. Contact our sales organization to obtain information about all the possible solutions that we are able to offer.



Via Lea Giaccaglia 5 – 47924 Rimini (RN) Italy
Tel. +39 0541 397811 Fax +39 0541 384491
sales@gsrspa.it - www.gsrspa.it

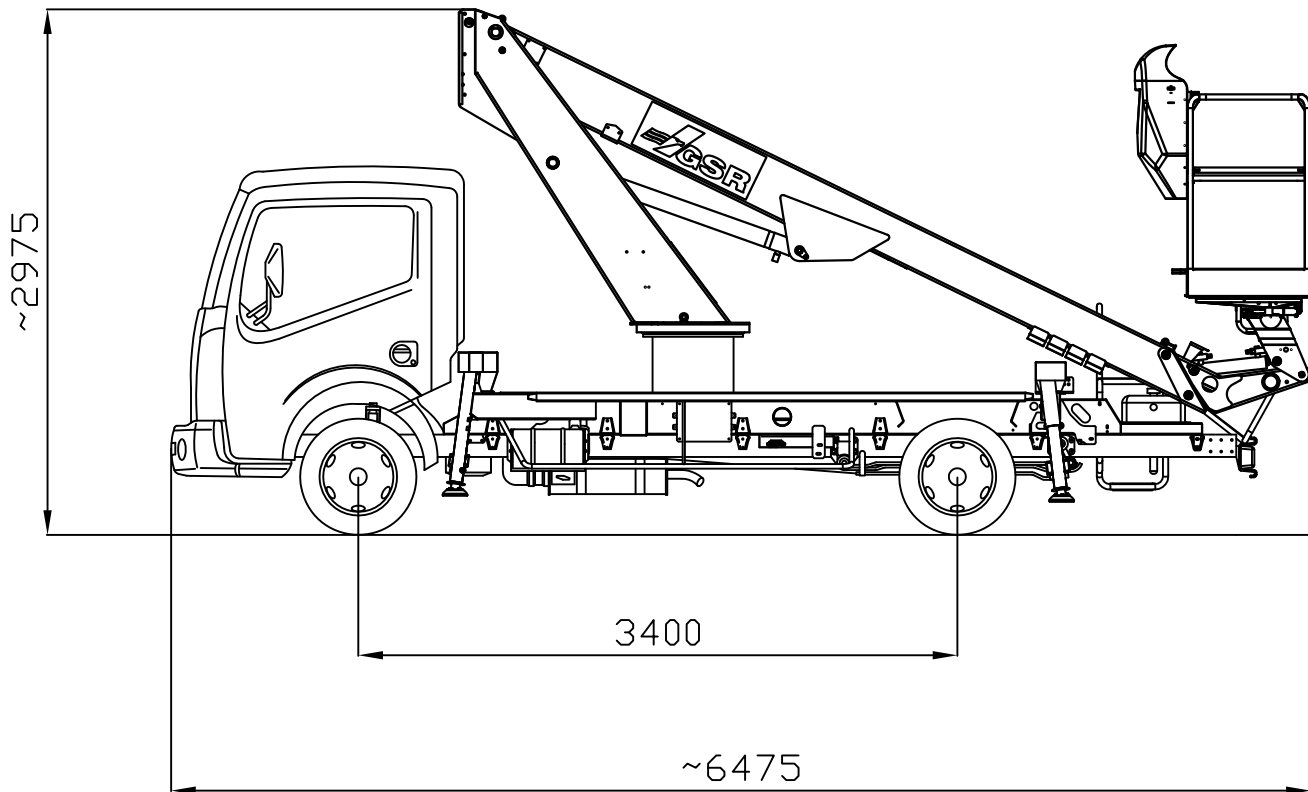
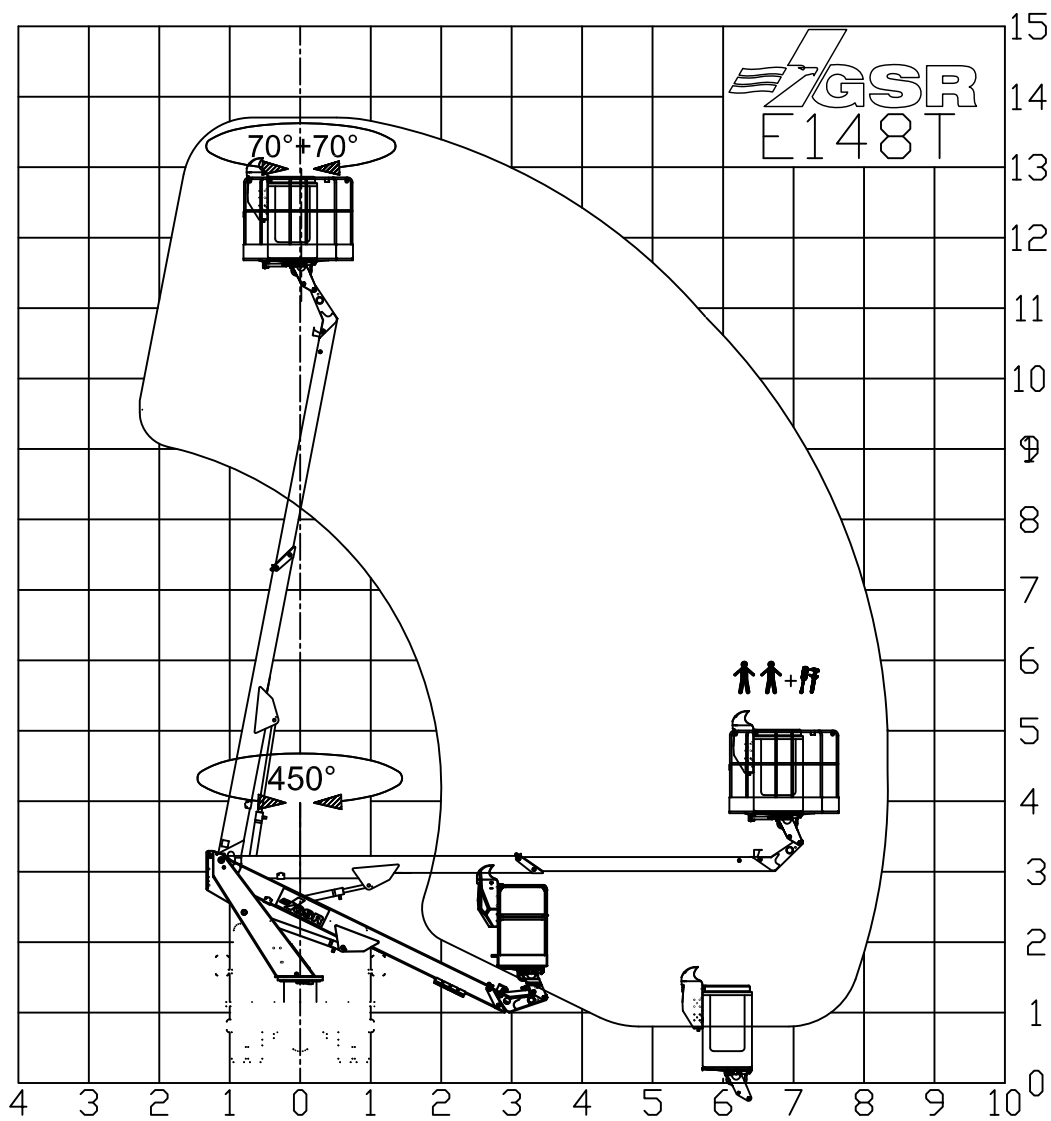
Company with Quality Management System Certified by DNV - ISO 9001:2008
Dati indicativi soggetti a modifica senza preavviso - Subject to modifications without prior note.

... since 1976

Rothlehner

working platforms

D-84323 Massing • Muehlenweg 1 • info@rothlehner.com
Tel.: +49 8724 9601-0 • Fax.: -12 • www.rothlehner.com



MAX SAFE WORKING LOAD
 MAX NENNTRAGFAHIGKKEIT IM KORB
 MAX CHARGE NOMINALE DANS LE PANIER
 MAX PORTATA NOMINALE IN NAVICELLA

+ =
200 KG



DENOMINAZIONE
E148T Compact
 NISSAN 35.12 - 3.5 t

DATE 05-03-2014
 CODE PRP1581

Aggiornamenti - Modifiche:

A D
 B E
 C F

APROXIMATE DATA - TECNICHE AENDERUNGEN VORBEHALTEN
 DONNES INDICATIVES - DATI INDICATIVI